

# BRABURA

## GRILLS



## FRIDGE

INSTRUCTIONS MANUAL / MANUAL DE INSTRUCCIONES / BEDIENUNGSANLEITUNG / MANUEL D'INSTRUCTIONS / MANUALE DI ISTRUZIONI

CALLE ACERO 12 VILLAFRANCA DE LOS BARROS 06220 BADAJOZ SPAIN

BF ED00 | [braburagrills.com](http://braburagrills.com)

**THIS MANUAL APPLIES TO THIS PRODUCTS**

---

**BRABURA**  
GRILLS

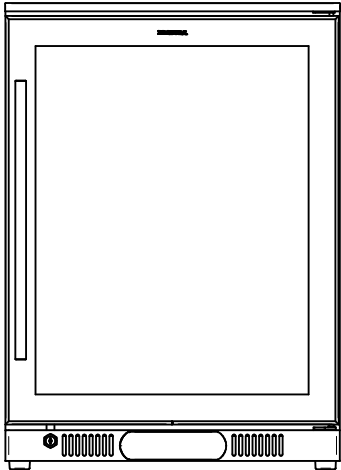
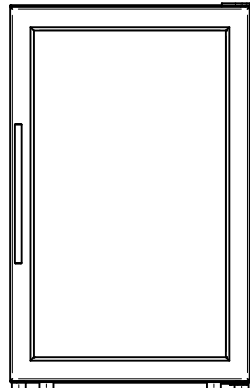
Model No: BGSC0024  
**OUTDOOR FRIDGE SC-128F**

Model No: BGSC0151  
**OUTDOOR FRIDGE SC-60F**

# TABLE OF CONTENTS

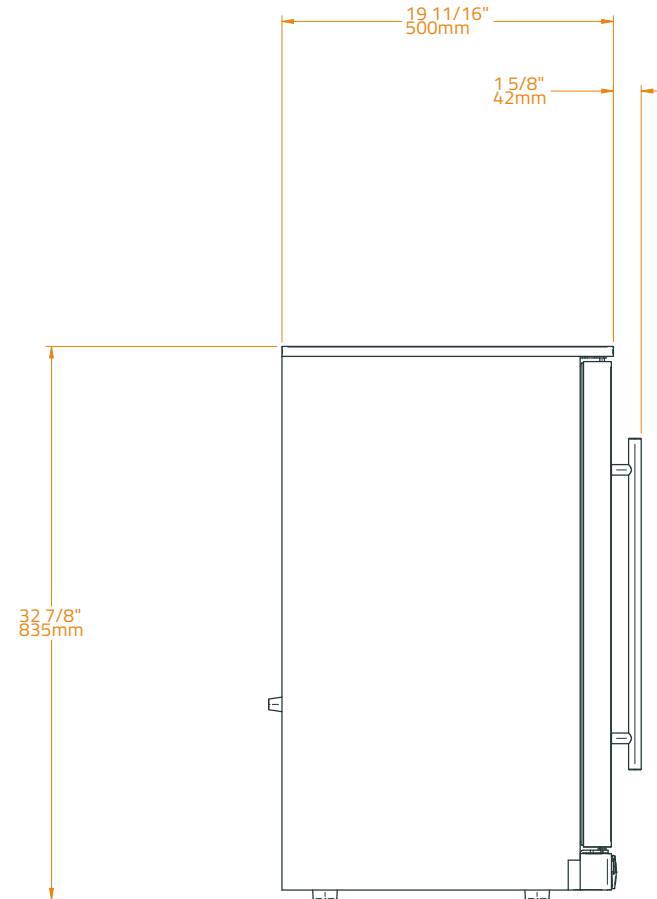
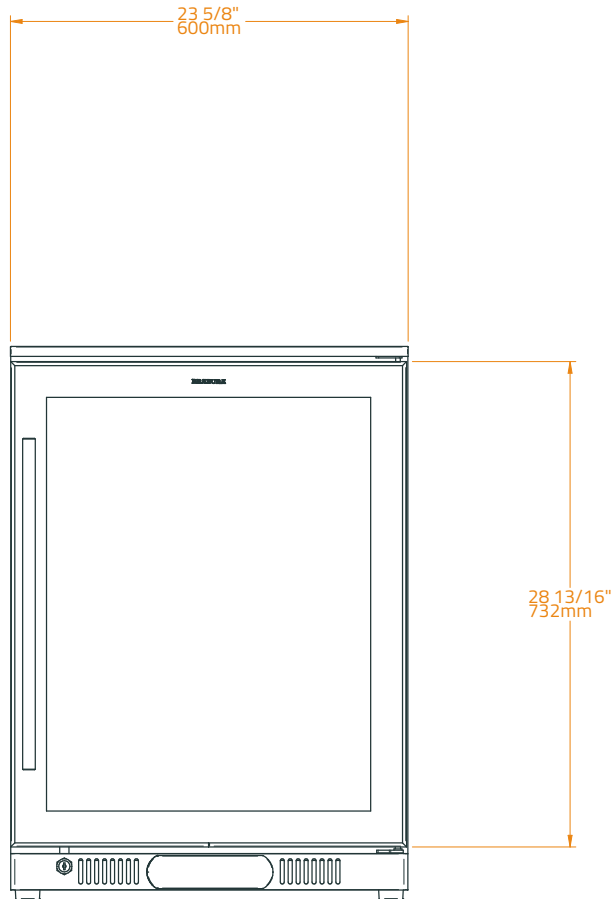
Product Specifications	4
Product Dimensions	5
Safety and Installation Warnings	7
Using your Appliance	9
Troubleshooting	10

# PRODUCT SPECIFICATIONS

PRODUCT	DIMENSIONS	128F	60F	SPECIFICATIONS	128F	60F
<b>Outdoor Fridge SC-128F</b>						
	<b>Height</b>	840 mm	690 mm	<b>Reference</b>	BGSC0024	BGSC0151
	<b>Width</b>	600 mm	430 mm	<b>Capacity</b>	128 L	60 L
	<b>Depth</b>	500 mm	500 mm	<b>Power Input</b>	135 W	105 W
	<b>FEATURES</b>			<b>Thermostat</b>	Digital	Mechanical
	<b>Waterproof Rating</b>	IPx4 for protection against water splashes		<b>Refrigerant</b>		R600a
	<b>Premium Isolation</b>	Triple layer Anti UV frameless full-glass door		<b>Climate Class</b>		N-ST
		Anti UV powder coated steel outer cabinet		<b>Temperature Range</b>		2-10 °C
	<b>Door</b>		Self Closing	<b>Operation Temperature</b>		2-38 °C
	<b>WARANTY</b>			<b>Interior Light</b>		LED Illumination
<b>Outdoor Fridge SC-60F</b>						
	<b>Full Product</b>		2 years			

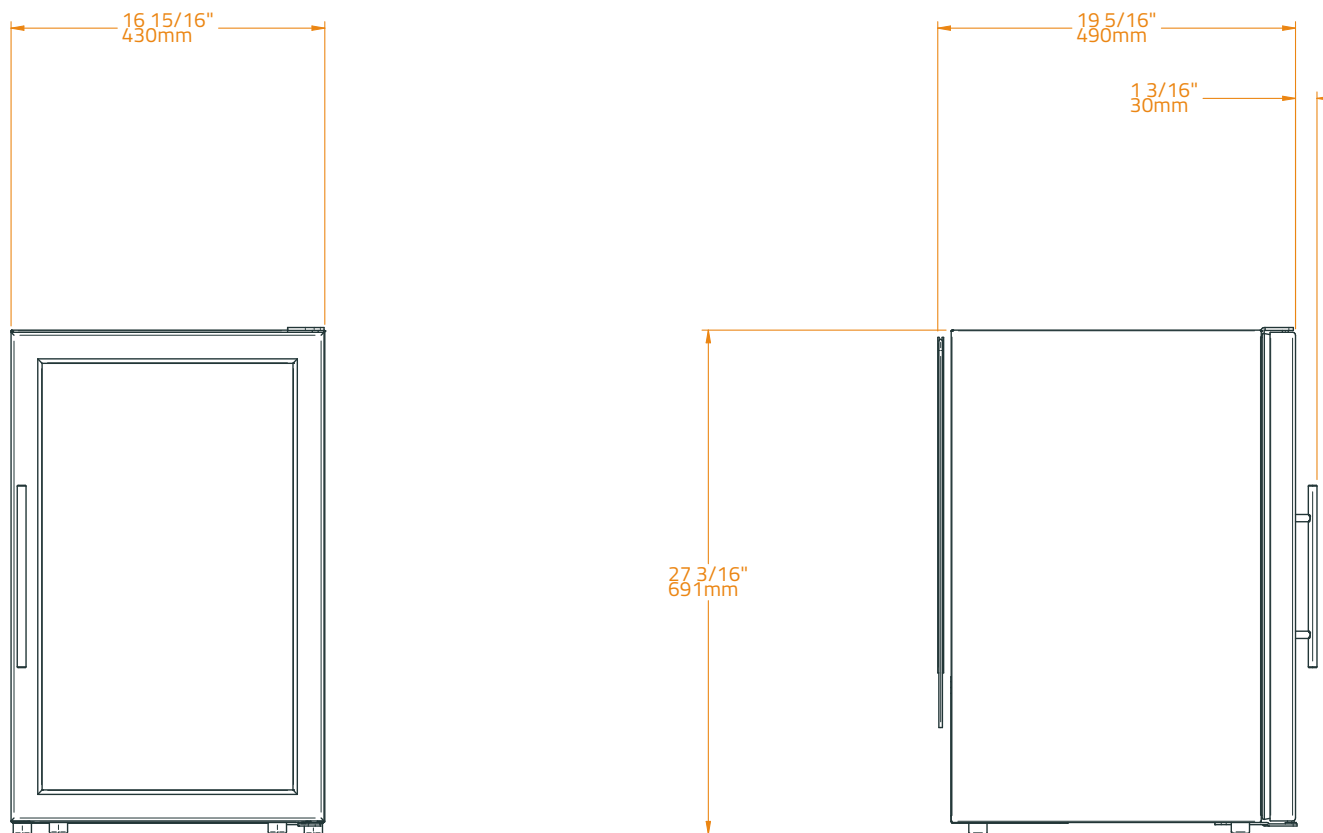
# PRODUCT DIMENSIONS

## Outdoor Fridge SC-128F



# PRODUCT DIMENSIONS

## Outdoor Fridge SC-60F



## SAFETY AND INSTALLATION WARNINGS

Please read these instructions completely before operating the units. To ensure proper use, please thoroughly study these safety precautions before operating the unit.

- **WARNING:** Installation should be performed only by the dealer or a qualified expert. Attempting to install the unit yourself could result in water leakage, refrigerant leakage, electrical shock, or fire.
- **WARNING: DON'T TAMPER.** All repairs, disassembly and modifications should be performed only by qualified technicians. Attempting to perform these yourself could result in a fire, malfunction, and injury.
- Never splash water directly onto the product or wash with water as short-circuit and electrical leakage could result.
- Never put flammable or volatile substances into the unit as explosion and fire could result.
- Do not damage, modify, excessively bend, strain, twist or bundle up the power cord. Also, placing heavy objects the power cord or squeezing it in a tight place could damage possible resulting in electrical shock or fire.
- Use a dedicated wall outlet. Do not use extension cords or convenience receptacles as this could result in electrical shock, overheating and a fire.
- Never use flammable spray cans or leave flammable substances near the unit. Sparks from electrical switches could result in explosion and fire.
- **WARNING:** The cooler is intended for storage and display of beer and beverage. Do not use for other purpose than the intended as this could adversely affect items placed in the unit.
- Do not insert fingers, sticks, or any objects into the cold air outlet. A circulation fan is rotating at high speed inside the outlet. Doing so may result in injury, electric shock, or improper operation of the unit.
- Suitable for outdoor use. If using the beverage cooler outside in an alfresco area ensure that it is directly connected to an outdoor power point. The electrical system of this beverage cooler must be connected with an automatic 30mA circuit breaker and/ or residual current device (RCD). If uncertain have a qualified electrician check your electrical system before installation and/or use.
- All electrical connections are to be made in a dry area.
- Outdoor power points must be weatherproof and installed by a qualified electrician.
- Never place heavy objects or items containing water on top of the unit, as spilled water could cause injury and spilled water could deteriorate the insulation of electrical components and result in electrical leakage.
- Install the unit in a location where the floor is sturdy enough to support its weight. If the floor is not strong enough, or if the installation is performed incorrectly, the unit could tip over and falling shelves or products could cause personal injury.

- Store the unit in a location where it is not exposed to rain. Using a unit that has been exposed to rain could result in electrical leakage and electric shock.
- Leave disassembly and disposal of the unit to qualified experts.
- Should the unit need temporary storage, make sure not to store it in a location where children can play. Take precautions so that the door cannot be completely closed. This will reduce the risk of a child becoming trapped inside the compartment.
- **WARNING:** Please make more than 10 cm space between chest freezer and wall. If there are no space, cooling capacity can drop down.
- **DANGER OF ELECTRICAL SHOCK.** If installation in a damp location is unavoidable, also install an electrical leakage circuit breaker. If no electrical leakage circuit breaker is installed, electrical shock could result.
- Never hang from the door or climb onto the unit. The unit could tip over or fall and cause material damage or injury.
- Disconnect the power cord plug from the wall outlet before moving the unit and make sure that the power cord is not damaged during transport. A damaged power cord could result in electrical shock and/or fire.
- Grasp the handle when closing the door. Holding at other positions could result in pinched fingers and injury.
- Do not push hand against or apply excessive force to glass surfaces as the glass could break and cause injury.
- When disconnecting the power cord plug from the wall outlet, hold at the plug main body close to the outlet. Pulling the cord could cause wire breakage, possibly resulting in overheating and fire.
- Make sure that the unit does not tip over or fall when it is moved. A falling unit could cause serious injury.
- Do not throw items onto the shelves and do not place items totaling more than 30Kg on each shelf. The shelf could fall down, possibly cause injury.
- Be sure attach and secure shelves correctly. An improperly attached shelf could fall down and cause injury.

### Keep this instructions

BRABURA Grills cannot be held responsible for damage or injury caused by improper use or installation of this appliance.

# SAFETY AND INSTALLATION WARNINGS

## In Case Of The Following

Power Failure:

- Keep opening and closing of the door to a minimum.
- Avoid placing new items in the cooler as this will raise the temperature inside the compartment.

## When not used for a long period

- Remove all items from the compartment and disconnect the power cord plug from the wall outlet.
- Clean the compartment interior and wipe away all water.
- To prevent mold formation and bad smell, leave the door open to dry the compartment completely

## Transportation

- Disconnect the power cord plug from the wall outlet.
- When moving the cooler, make sure that the feet do not damage the power cord.
- Do not let the feet hit against floor steps, thresholds, etc.

## Temporary Storage

- Affix a piece of wood, etc. Between the door and main unit to prevent complete closing of the door.
- Make sure not to store the unused cooler at a location where children play.
- Should a child enter the compartment and the door is closed, the child may not be able to open the door from the inside.

## Keep this instructions

BRABURA Grills cannot be held responsible for damage or injury caused by improper use or installation of this appliance.

## USING YOUR APPLIANCE

### Before Use

- Remove shipping package, tape, etc, and leave doors open ventilation for a while.
- The unit is cleaned before shipment. However, clean the compartment interior once after delivery.
- Please insert power supply plug into the wall outlet, single-phase to cat voltage.
- Allow the unit to operate for about 1 hour to cool the compartment before placing items in the cooler.

### Wait 5 minutes or more before re-starting

- Restarting the unit immediately after it has been turned off may cause fuses to blow and activate the circuit-breaker, the compressor may be overloaded, and/or other damage may occur.

### Drain Tray

- Defrosting is performed automatically and drain water is collected in the drain tray.
- Water in the drain tray is evaporated automatically.

### Efficient Use

- Please follow the below instruction, you could save energy
- To prevent cold air from escaping, open and close the door quickly and keep the door opened for as short a time as possible.
- Please install the unit in the place which is well-ventilated.

### Shelf Height Adjustment

- The shelf height can be adjusted.
- Arrange the shelves in accordance with the dimensions of the items to be placed in the cooler.

### Temperature Adjustment

1. Press and hold the Set button for a few seconds until the display shows "St". The thermostat has now entered configuration mode.
2. To adjust the temperature, press the Set button again. The display will show the refrigerator's current temperature setting.
3. To increase the temperature, press the upper right button (maximum setting: 10°C).
4. To decrease the temperature, press the lower right button (minimum setting: 2°C).
5. Press the Set button again to save the new temperature setting.
6. Press and hold the lower left button to exit configuration mode.

### Placing items in the showcase

- This showcase employs a forced circulation of cold air system. If circulation of cold air is obstructed, the items will not be adequately refrigerated. Pay attention to the following points:
  - Do not let items obstruct the cold air inlet and suction outlet.
  - Place items so that they do not protrude from the shelves. The gap between the shelves and the door is used for circulation of cold air.
  - Place items evenly on all shelves.
  - Please do not display goods on the bottom. Please put goods on the shelf.

### Cleaning

**WARNING:** To prevent any electrical shock hazards or injury by rotating circulation fan, always disconnect the power cord plug from the wall outlet before cleaning.

Exterior and cooler compartment:

- Wipe with a soft, dry cloth. If very soiled, wipe with a cloth that has been moistened with a detergent. Then wipe with a cloth that has been dipped in water. Do not splash water directly onto the cooler and do not wash with water. Short-circuit and electrical shock could result.
- Clean the cooler regularly to keep it clean at all times.
- Never use polishing powder, soap powder, benzene, oil or hot water as these will damage the painting and plastic components.

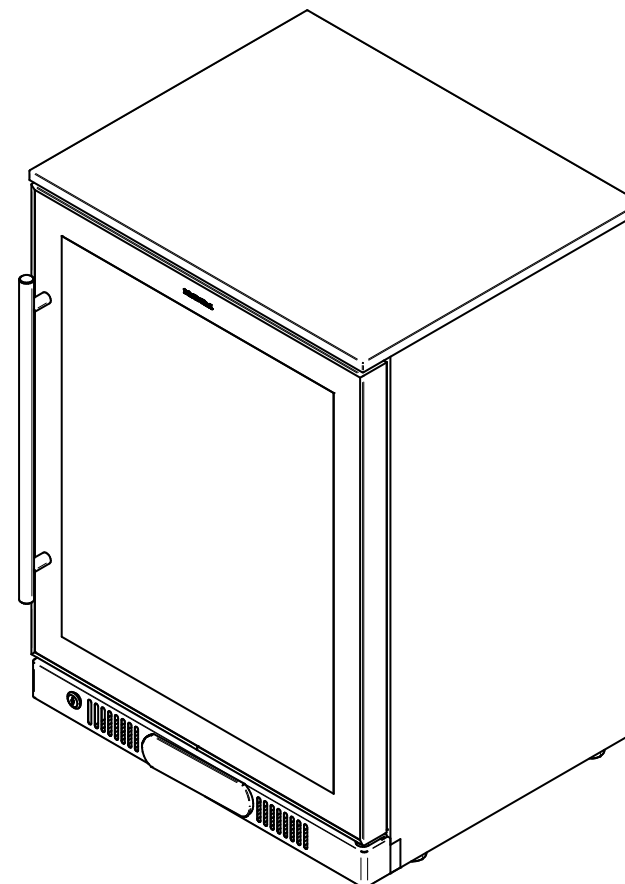
Checks:

To ensure the safety, perform the following checks after cleaning.

- Is the power cord plug firmly inserted into a dedicated wall outlet? Confirm that the plug is not abnormally hot.
- Check the power cord for cracks and damage. Should the slightest irregularity be observed, contact the dealer from whom you purchased this unit or our customer's service

# TROUBLESHOOTING

PROBLEM	POSSIBLE CAUSES	WHAT TO DO
No refrigeration at all	Power supply interrupted	Check power supply
	Power cord plug disconnected	Check power cord
		Check installation fuses, switches or circuit breakers
Inadequate refrigeration	Inappropriate temperature setting	Set thermostat temperature
	Obstructed cold air inlet and suction outlet	Remove any possible obstructions
	Door opened and closed frequently	Keep the door closed time enough for the fridge to rehydrate
	Condenser clogged	Clean burners
Excessive noise	No firm contact with the floor	Adjust fridge feet
	Cooler contacting the wall or other objects	Check if the rear part of the fridge is contacting with something
	Other objects in contact with the cooler	Check if the rear part of the fridge is contacting with the cabinet, or some other object



**Share Life**  
Share Experiences

[visit braburagrills.com](http://braburagrills.com)

---

CALLE ACERO 12 VILLAFRANCA DE LOS BARROS 06220 BADAJOZ SPAIN