

BRABURA

GRILLS



BUILT-IN ICE BIN

INSTRUCTIONS MANUAL / MANUAL DE INSTRUCCIONES / BEDIENUNGSANLEITUNG / MANUEL D'INSTRUCTIONS / MANUALE DI ISTRUZIONI

CALLE ACERO 12 VILLAFRANCA DE LOS BARROS 06220 BADAJOZ SPAIN

BIB ED00 | braburagrills.com

THIS MANUAL APPLIES TO THIS PRODUCTS

BRABURA
GRILLS

Ref No: BGSC0157
BUILT-IN ICE BIN

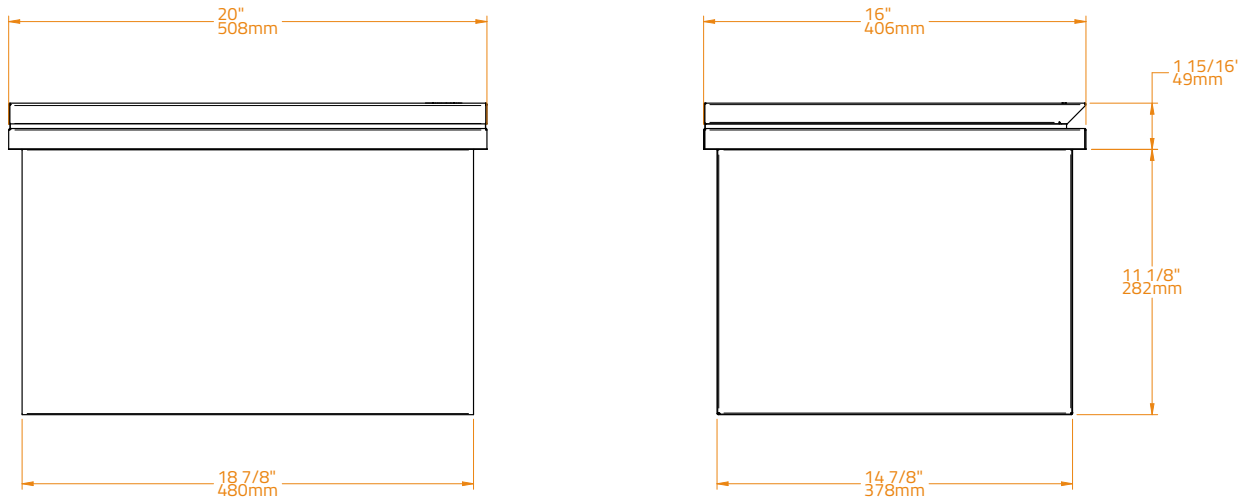
TABLE OF CONTENTS

Product Specifications	4
Safety, Installation and Maintenance	5

PRODUCT SPECIFICATIONS

DIMENSIONS

Built-In Ice Bin



SPECIFICATIONS

Reference	BGG0014
Capacity	68 L
Total Dimensions	508 L x 406 W x 331 D mm
Cut-Out Dimensions	490 L x 388 W mm
Warranty	3 years

MODEL

Durable and Insulated

Designed in brushed stainless steel, this built-in ice bucket is durable. Double layer design to achieve better insulation effect. The interior is insulated with high density polyurethane and the lid is sealed with a adhesive strip to prevent heat loss and ensure your ice stays cool for a long time.

The side and bottom of the product are wrapped with XPE sponge, which not only increases the thermal insulation effect, but also prevents the side and bottom from condensation, which leads to the problem of dripping water on the surface.

WARNINGS, INSTALLATION AND MAINTENANCE

Safety and Installation Warnings

- **WARNING:** Read and understand this entire manual before assembling, installing, operating, or servicing this product. Failure to follow these warnings and instructions can cause personal injury or damage to valuable property.
- **WARNING:** This product contains small parts. If swallowed, it will pose a choking hazard. Keep these small parts away from children when assembling!
- While assembling and using this product, keep work area clean and well lighted, and keep spectators and children out of the work area.
- Assemble only according to ice chest parameter. Improper assembly can create hazards.
- Use as intended only.
- Keep away from sharp points, blades and other items, so as not to scratch the product.
- Please follow the installation steps to mount this drop in ice chest. Wrong installation steps may cause some damage trouble.
- Handle the product gently to avoid damages.

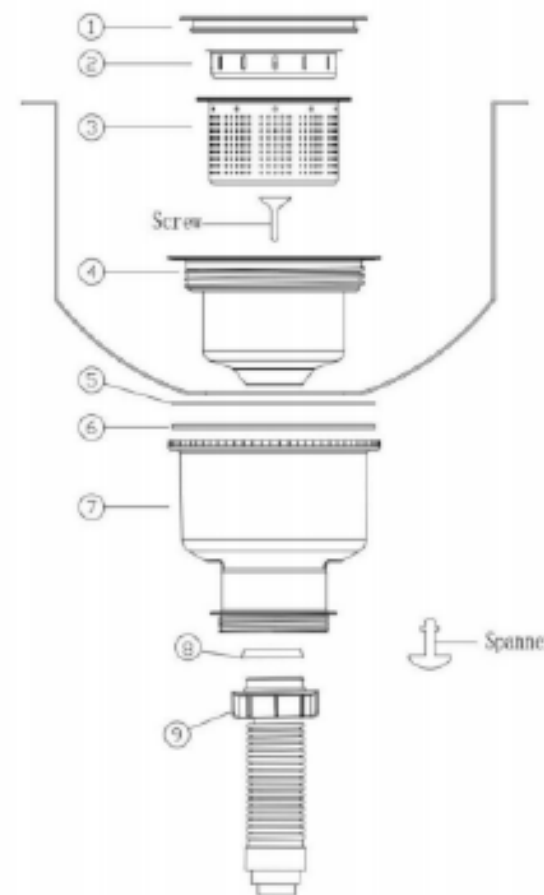
Unpacking and Installation

Carefully remove the unit from its box along with all individual components, and check that no damage has occurred during transport. Some parts are shipped with protective packaging or supports that must simply be removed before use. Before using the BRABURA Built-In Ice Bin it is necessary to assemble the water drain system:

1. Position the item 4 in the bin lower hole and instal items 5, 6 and 7 on item 4.
2. Tighten the screw to item 4, and tighten the items 8 and 9 to item 7.
3. Place upper parts, items 1, 2 and 3 into item 4 to finish installation.

Cleaning and Maintenance

1. In order to prevent the growth of bacteria, please take care of the melted water after each use of the ice tank.
2. If it is not used for a long time, please empty the water inside the ice tank and keep it dry to avoid odor or bacteria.
3. When using the ice tank for a long time, please pay attention to putting ice or replacing ice and water in time.



Keep this instructions

BRABURA Grills cannot be held responsible for damage or injury caused by improper use or installation of this appliance.

Share Life
Share Experiences

[visit braburagrills.com](http://braburagrills.com)

CALLE ACERO 12 VILLAFRANCA DE LOS BARROS 06220 BADAJOZ SPAIN